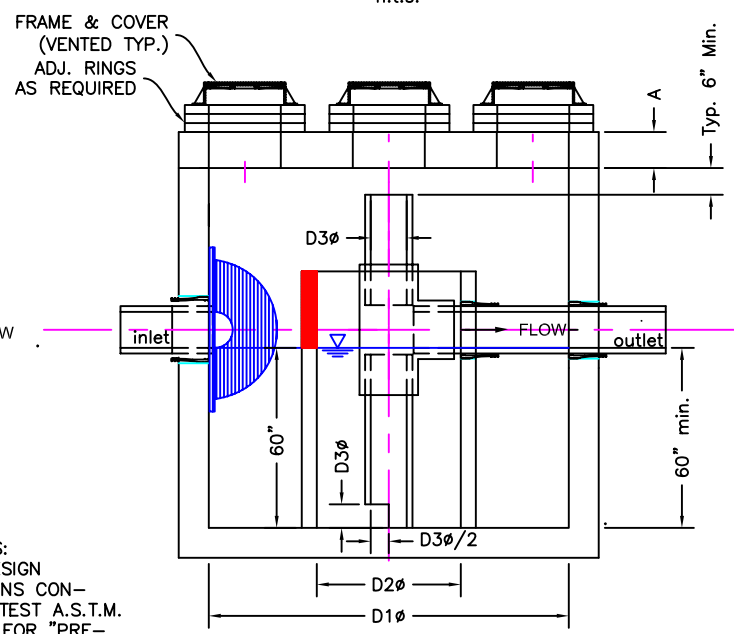
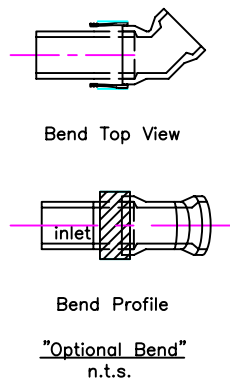
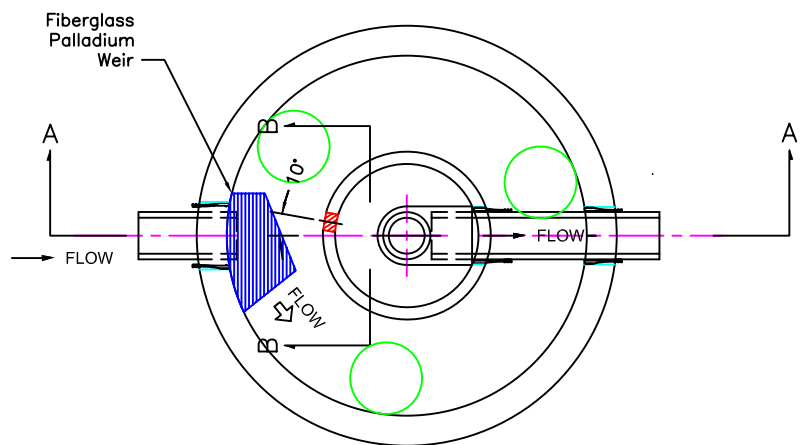
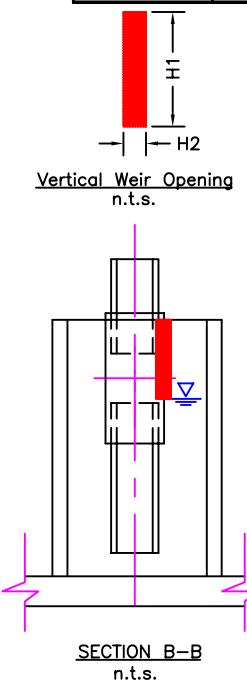


PROJECT:	LOCATION:
OWNER:	SCALE:
ENGINEER:	DRAWN BY: SEG
CONTRACTOR:	DATE:
MANUFACTURER:	DWG. NO.:
PRODUCT DESIGNATION: ecoStorm - gross particulate separation technology	
DESIGNED BY: .	CHECK 1: .
	CHECK 2: .

REVISIONS
1-8-07

# ecoStorm

ecoStorm model no.	Peak flowrate $Q_{Peak}$ (cfs)	Treatment flowrate $Q_{Treat}$ (cfs)	D1 dia. (ft.)	D2 dia. (ft.)	D3 dia. (in.)	Vertical		Inlet Type		Standard Top Slab Thickness T (in)
						weir dims. H1 (in.)	H2 (in.)	Fiberglass	45°	
								Palladium Weir	pvc Bend	
4	18.9	7.6	12.00	6.00	*	*	*	*	*	12
3	13.1	5.3	10.00	4.00	*	*	*	*	*	12
2	8.4	3.4	8.00	3.50	*	*	*	*	*	10
1.5	6.4	2.6	7.00	3.00	*	*	*	*	*	8
1	4.7	1.9	6.00	2.50	*	*	*	*	*	8



GENERAL NOTES:  
MANHOLE DESIGN SPECIFICATIONS CONFORM TO LATEST A.S.T.M. C478 SPEC. FOR "PRE-CAST REINFORCED CONCRETE MANHOLE SECTIONS."  
DESIGN LOADING: AASHTO HS20-44

