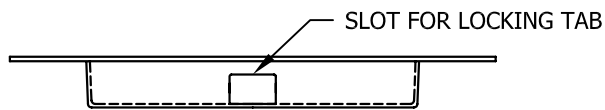
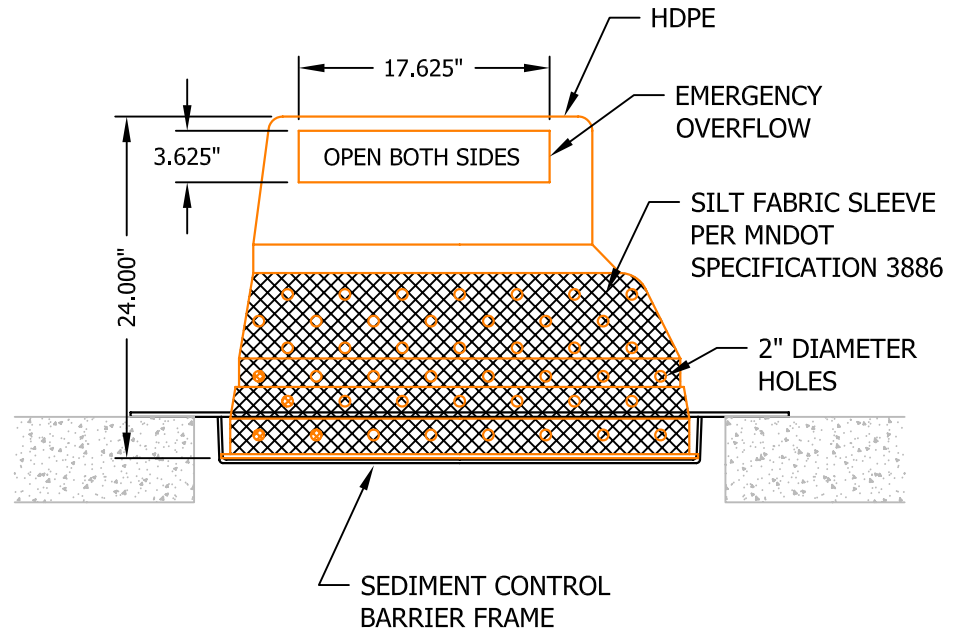


TOP VIEW



SIDE VIEW

SEDIMENT CONTROL BARRIER FRAME



- MEETS MN/DOT SPECIFICATION 3891.C
- "STORM DRAIN INLET PROTECTION
- SEDIMENT CONTROL INLET HAT"
- DESIGNED FOR STANDARD 24" x 36" ACCESS HOLES

Rev.
10-9-06

Royal Environmental Systems

INFRASAFE - 2'x3' SEDIMENT CONTROL BARRIER

AS MANUFACTURED BY ROYAL ENVIRONMENTAL SYSTEMS