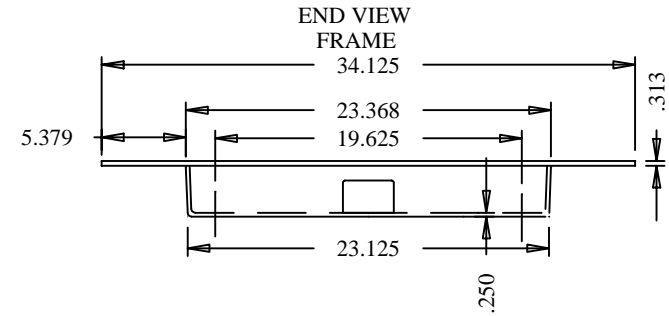
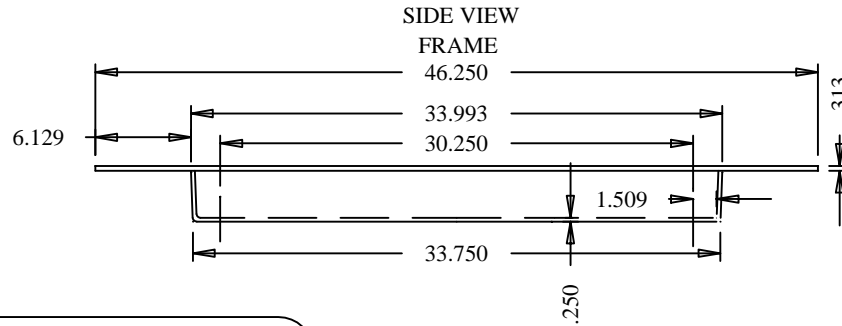
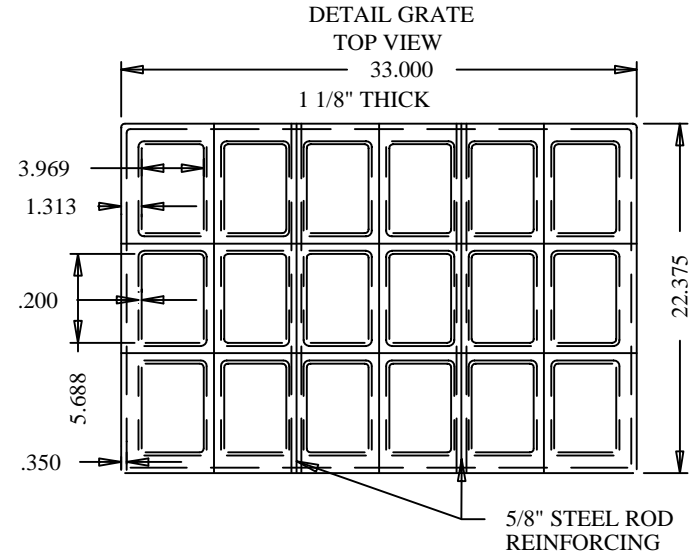
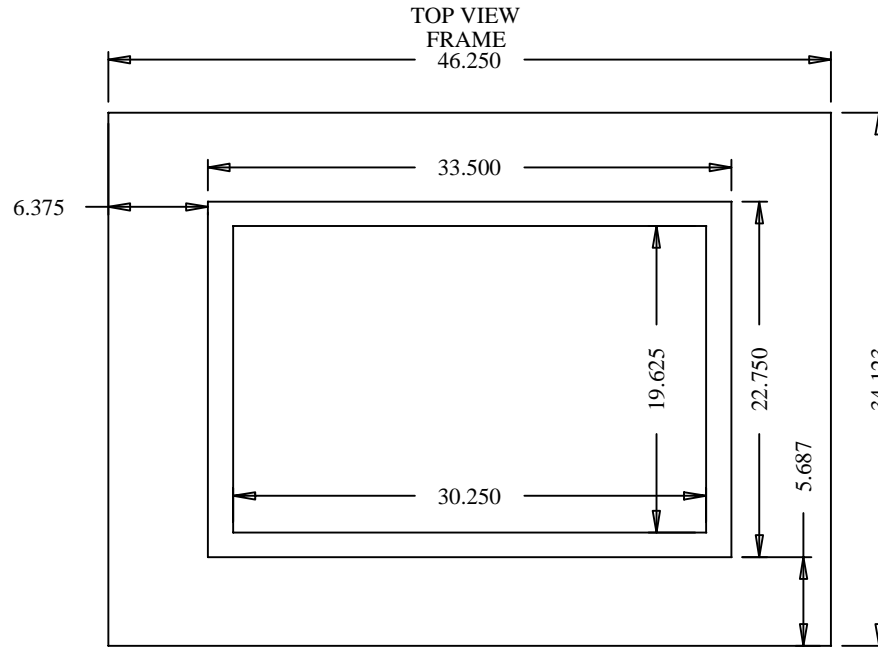


UOM=inches



Royal
ENVIRONMENTAL SYSTEMS, Inc.

www.royalenterprises.net

protect **TODAY** by
building for **TOMORROW**

2'x3' Sediment Control Barrier (SCB) Frame & Safety Grate

Standard Details

P.O. Box 430 • 30622 Forest Blvd • Stacy, MN 55079 • Ph: 651.462.2130

Plate #
SCB-23FG

Rev. Date:
2-16-04 SEG