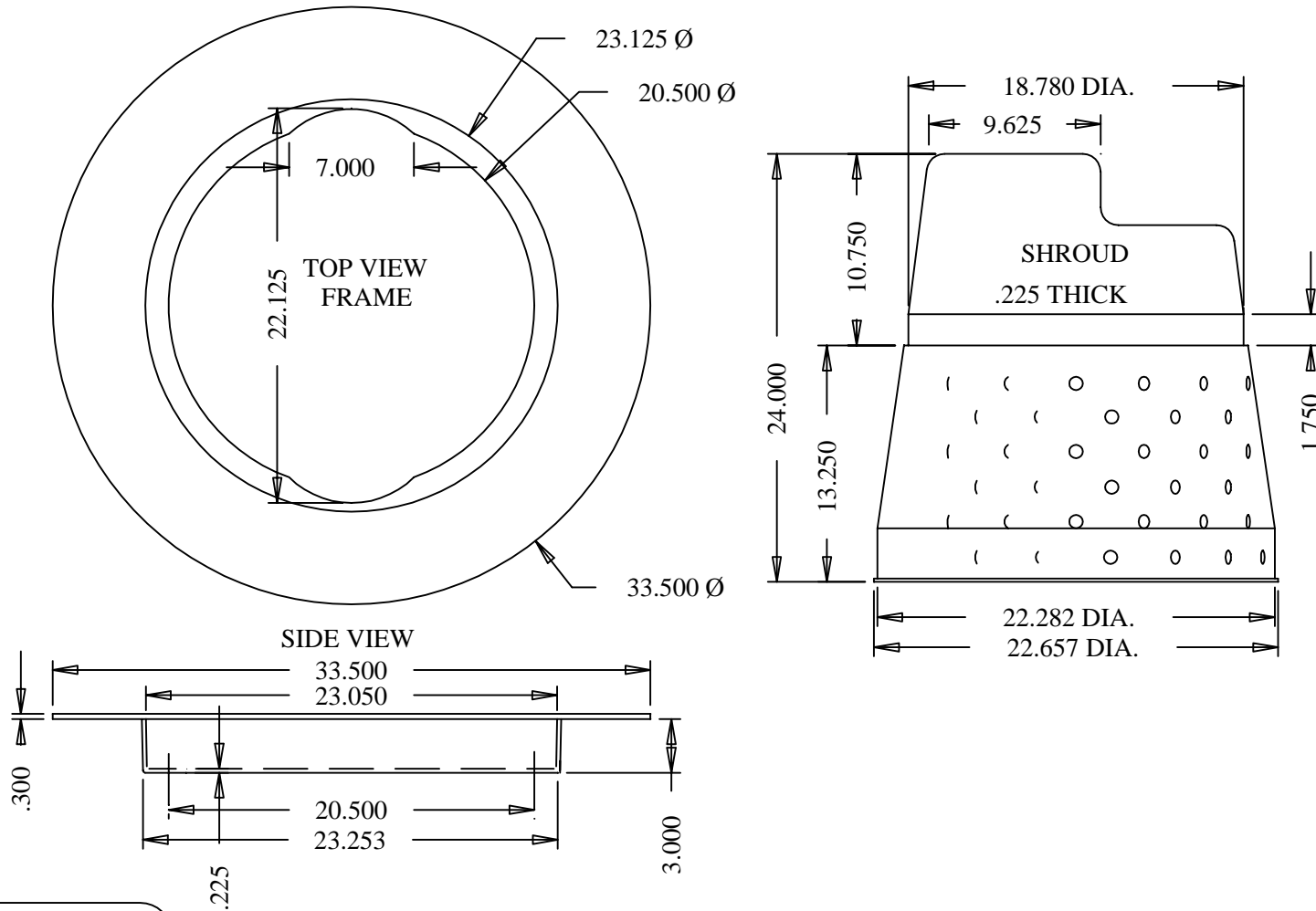


UOM=inches



www.royalenterprises.net

protect **TODAY** by  
building for **TOMORROW**

## 24" Sediment Control Barrier (SCB) Frame & Perforated Shroud

Standard Details

P.O. Box 430 • 30622 Forest Blvd • Stacy, MN 55079 • Ph: 651.462.2130

Plate #  
SCB-24FS

Rev. Date:  
2-16-04 SEG