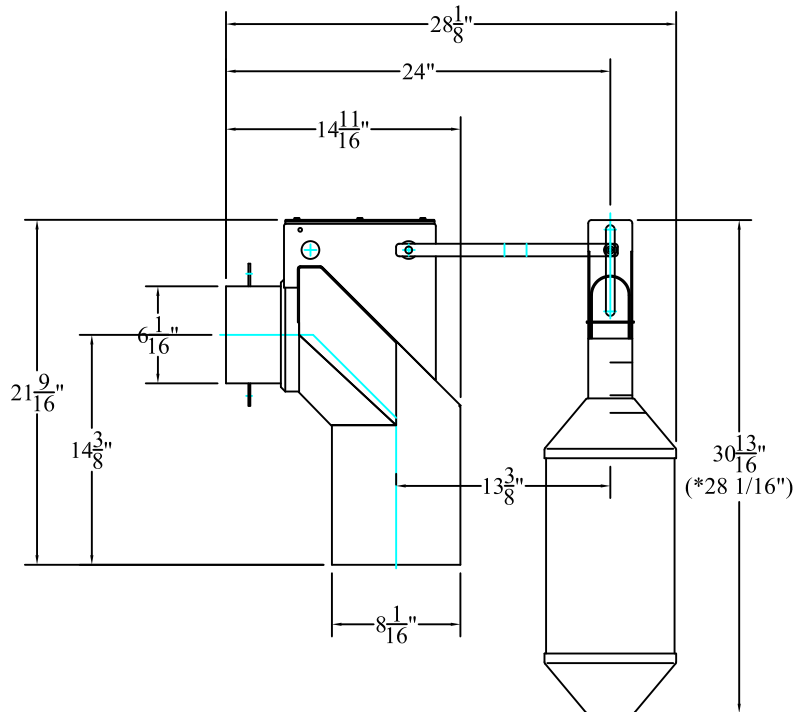
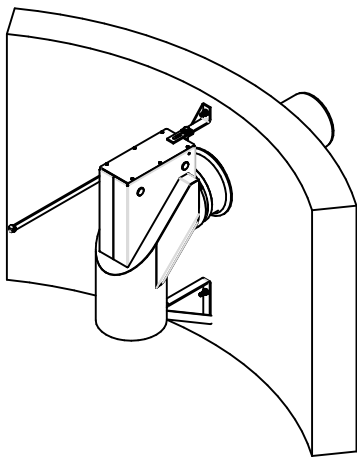
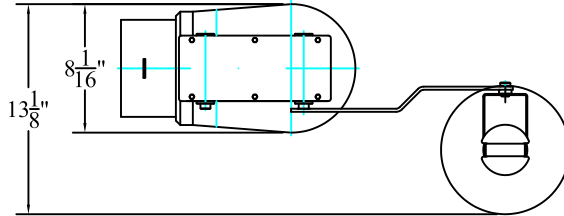


ecoStop®



A Division of Royal Enterprises America

www.royalenterprises.net

protect **TODAY** by  
building for **TOMORROW**

NOTES:

- Detail drawn as ols Style ecoStop Valve (1" ≈ 1'-0")
- \* Dimensions with asterics are new style only.

# 6" ecoStop Dimensional Detail

ecoStop - Standard Details

Plate #  
eStop-6DD

Rev. Date:  
1.19.10 SEG

P.O. Box 430 • 30622 Forest Blvd • Stacy, MN 55079 • Ph: 651.462.2130